

D1300 INCORPORATING DIN 472 & BS3673 PT.4

Ref. Number	Circlip Dimensions					Groove Dimensions							Supplementary Data		
	Nominal Diameter (d1)	Thickness (s)	Tolerance	Unstressed Diameter (d3)	Tolerance	Lug (a) max	Beam (b)~	Lug Hole (d5) min	Groove Diameter (d2)	Tolerance	Min Groove Width (m)	Radial Depth (t)	Shoulder Length (n)	Wt. Kg/1,000	Pliers
0080	8	0.80	- 0.05	8.7	+ 0.36 - 0.10	2.4	1.1	1.0	8.4	+ 0.09	0.90	0.20	0.6	0.10	HC 0
0090	9	0.80	- 0.05	9.8		2.5	1.3	1.0	9.4	+0.09	0.90	0.20	0.6	0.13	HC 0
0100	10	1.00	- 0.06	10.8		3.2	1.4	1.2	10.4	+ 0.11	1.10	0.20	0.6	0.26	HC 1
0110	11	1.00	- 0.06	11.8		3.3	1.5	1.2	11.4	+ 0.11	1.10	0.20	0.6	0.31	HC 1
0120	12	1.00	- 0.06	13.0		3.4	1.7	1.5	12.5	+ 0.11	1.10	0.25	0.8	0.37	HC 1
0130	13	1.00	- 0.06	14.1		3.6	1.8	1.5	13.6	+ 0.11	1.10	0.30	0.9	0.42	HC 1
0140	14	1.00	- 0.06	15.1		3.7	1.8	1.7	14.6	+ 0.11	1.10	0.30	0.9	0.52	HC 1
0150	15	1.00	- 0.06	16.2		3.7	2.0	1.7	15.7	+ 0.11	1.10	0.35	1.1	0.56	HC 1
0160	16	1.00	- 0.06	17.3		3.8	2.0	1.7	16.8	+ 0.11	1.10	0.40	1.2	0.60	HC 1
0170	17	1.00	- 0.06	18.3		3.9	2.1	1.7	17.8	+0.11	1.10	0.40	1.2	0.65	HC 1
0180	18	1.00	- 0.06	19.5		4.1	2.2	2.0	19.0	+ 0.13	1.10	0.50	1.5	0.74	HC 2
0190	19	1.00	- 0.06	20.5		4.1	2.2	2.0	20.0	+ 0.13	1.10	0.50	1.5	0.83	HC 2
0200	20	1.00	- 0.06	21.5		4.1	2.3	2.0	21.0	+ 0.13	1.10	0.50	1.5	0.90	HC 2
0210	21	1.00	- 0.06	22.5		4.2	2.4	2.0	22.0	+ 0.13	1.10	0.50	1.5	1.00	HC 2
0220	22	1.00	- 0.06	23.5		4.2	2.5	2.0	23.0	+ 0.13	1.10	0.50	1.5	1.10	HC 2
0230	23	1.20	- 0.06	24.6		4.2	2.5	2.0	24.1	+ 0.13	1.30	0.55	1.7	1.34	HC 2
0240	24	1.20	- 0.06	25.9		4.3	2.6	2.0	25.2	+ 0.21	1.30	0.60	1.8	1.42	HC 2
0250	25	1.20	- 0.06	26.9		4.5	2.7	2.0	26.2	+ 0.21	1.30	0.60	1.8	1.50	HC 2
0260	26	1.20	- 0.06	27.9	4.7	2.8	2.0	27.2	+ 0.21	1.30	0.70	1.8	1.60	HC 2	
0270	27	1.20	- 0.06	29.1	4.7	2.9	2.0	28.4	+ 0.21	1.30	0.70	2.1	1.75	HC 2	
0280	28	1.20	- 0.06	30.1	4.8	2.9	2.0	29.4	+ 0.21	1.30	0.70	2.1	1.80	HC 2	
0290	29	1.20	- 0.06	31.1	4.8	3.0	2.0	30.4	+ 0.25	1.30	0.70	2.1	1.88	HC 2	
0300	30	1.20	- 0.06	32.1	4.8	3.0	2.0	31.4	+ 0.25	1.30	0.70	2.1	2.06	HC 2	
0310	31	1.20	- 0.06	33.4	5.2	3.1	2.5	32.7	+ 0.25	1.30	0.85	2.6	2.10	HC 2	
0320	32	1.20	- 0.06	34.4	5.4	3.2	2.5	33.7	+ 0.25	1.30	0.85	2.6	2.21	HC 2	
0330	33	1.20	- 0.06	35.5	5.4	3.3	2.5	34.7	+ 0.25	1.30	0.85	2.6	2.40	HC 2	
0340	34	1.50	- 0.06	36.5	5.4	3.3	2.5	35.7	+ 0.25	1.60	0.85	2.6	3.20	HC 2	
0350	35	1.50	- 0.06	37.8	5.4	3.4	2.5	37.0	+ 0.25	1.60	1.00	3.0	3.54	HC 2	
0360	36	1.50	- 0.06	38.8	5.4	3.5	2.5	38.0	+ 0.25	1.60	1.00	3.0	3.70	HC 2	
0370	37	1.50	- 0.06	39.8	5.5	3.6	2.5	39.0	+ 0.25	1.60	1.00	3.0	3.74	HC 2	
0380	38	1.50	- 0.06	40.8	5.5	3.7	2.5	40.0	+ 0.25	1.60	1.00	3.0	3.90	HC 2	
0390	39	1.50	- 0.06	42.0	5.6	3.8	2.5	41.0	+ 0.25	1.60	1.00	3.0	4.00	HC 2	
0400	40	1.75	- 0.06	43.5	5.8	3.9	2.5	42.5	+ 0.25	1.85	1.25	3.8	4.70	HC 3	
0410	41	1.75	- 0.06	44.5	5.9	4.0	2.5	43.5	+ 0.25	1.85	1.25	3.8	5.10	HC 3	
0420	42	1.75	- 0.06	45.5	5.9	4.1	2.5	44.5	+ 0.25	1.85	1.25	3.8	5.40	HC 3	
0430	43	1.75	- 0.06	46.5	5.9	4.2	2.5	45.5	+ 0.25	1.85	1.25	3.9	5.60	HC 3	
0440	44	1.75	- 0.06	47.5	6.0	4.2	2.5	46.5	+ 0.25	1.85	1.25	3.8	5.80	HC 3	
0450	45	1.75	- 0.06	48.5	6.2	4.3	2.5	47.5	+ 0.25	1.85	1.25	3.8	47.5	HC 3	
0460	46	1.75	- 0.06	49.5	6.3	4.4	2.5	48.5	+ 0.25	1.85	1.25	3.8	48.5	HC 3	
0470	47	1.75	- 0.06	50.5	6.4	4.4	2.5	49.5	+ 0.25	1.85	1.25	3.8	49.5	HC 3	
0480	48	1.75	- 0.06	51.5	6.4	4.5	2.5	50.5	+ 0.30	1.85	1.25	3.8	50.5	HC 3	
0500	50	2.00	- 0.07	54.2	6.5	4.6	2.5	53.0	+ 0.30	2.15	1.50	4.5	53.0	HC 3	
0510	51	2.00	- 0.07	55.2	6.5	4.7	2.5	54.0	+ 0.30	2.15	1.50	4.5	54.0	HC 3	
0520	52	2.00	- 0.07	56.2	6.7	4.7	2.5	55.0	+ 0.30	2.15	1.50	4.5	55.0	HC 3	
0530	53	2.00	- 0.07	57.2	6.7	4.9	2.5	56.0	+ 0.30	2.15	1.50	4.5	56.0	HC 3	
0540	54	2.00	- 0.07	58.2	6.7	5.0	2.5	57.0	+ 0.30	2.15	1.50	4.5	57.0	HC 3	
0550	55	2.00	- 0.07	59.2	6.8	5.0	2.5	58.0	+ 0.30	2.15	1.50	4.5	58.0	HC 3	
0560	56	2.00	- 0.07	60.2	6.8	5.1	2.5	59.0	+ 0.30	2.15	1.50	4.5	59.0	HC 3	
0570	57	2.00	- 0.07	61.2	6.8	5.1	2.5	60.0	+ 0.30	2.15	1.50	4.5	60.0	HC 3	
0580	58	2.00	- 0.07	62.2	6.9	5.2	2.5	61.0	+ 0.30	2.15	1.50	4.5	61.0	HC 3	
0600	60	2.00	- 0.07	64.2	7.3	5.4	2.5	63.0	+ 0.30	2.15	1.50	4.5	63.0	HC 3	
0620	62	2.00	- 0.07	66.2	7.3	5.5	2.5	65.0	+ 0.30	2.15	1.50	4.5	65.0	HC 3	
0630	63	2.00	- 0.07	67.2	7.3	5.6	2.5	66.0	+ 0.30	2.15	1.50	4.5	66.0	HC 3	
0640	64	2.00	- 0.07	68.2	7.4	5.7	2.5	67.0	+ 0.30	2.15	1.50	4.5	67.0	HC 3	
0650	65	2.50	- 0.07	69.2	7.6	5.8	3.0	68.0	+ 0.30	2.65	1.50	4.5	68.0	HC 3	
0670	67	2.50	- 0.07	71.5	7.7	6.0	3.0	70.0	+ 0.30	2.65	1.50	4.5	70.0	HC 3	
0680	68	2.50	- 0.07	72.5	7.8	6.1	3.0	71.0	+ 0.30	2.65	1.50	4.5	71.0	HC 3	
0700	70	2.50	- 0.07	74.5	7.8	6.2	3.0	73.0	+ 0.30	2.65	1.50	4.5	73.0	HC 3	
0720	72	2.50	- 0.07	76.5	7.8	6.4	3.0	75.0	+ 0.30	2.65	1.50	4.5	75.0	HC 3	
0750	75	2.50	- 0.07	79.5	7.8	6.6	3.0	78.0	+ 0.30	2.65	1.50	4.5	78.0	HC 3	
0770	77	2.50	- 0.07	82.5	8.5	6.8	3.0	80.0	+ 0.30	2.65	1.50	4.5	80.0	HC 3	
0780	78	2.50	- 0.07	82.5	8.5	6.8	3.0	81.0	+ 0.35	2.65	1.50	4.5	81.0	HC 3	
0800	80	2.50	- 0.07	85.5	8.5	7.0	3.0	83.5	+ 0.35	2.65	1.75	5.3	83.5	HC 3	
0810	81	2.50	- 0.07	86.5	8.5	7.0	3.0	84.5	+ 0.35	2.65	1.75	5.3	84.5	HC 3	
0820	82	2.50	- 0.07	87.5	8.5	7.0	3.0	85.5	+ 0.35	2.65	1.75	5.3	85.5	HC 3	
0830	83	2.50	- 0.07	88.5	8.5	7.0	3.0	86.5	+ 0.35	2.65	1.75	5.3	86.5	HC 3	
0850	85	3.00	- 0.08	90.5	8.6	7.2	3.5	88.5	+ 0.35	3.15	1.75	5.3	88.5	HC 4	
0870	87	3.00	- 0.08	93.5	8.6	7.4	3.5	90.5	+ 0.35	3.15	1.75	5.3	90.5	HC 4	
0880	88	3.00	- 0.08	93.5	8.6	7.4	3.5	91.5	+ 0.35	3.15	1.75	5.3	91.5	HC 4	
0900	90	3.00	- 0.08	95.5	8.6	7.6	3.5	93.5	+ 0.35	3.15	1.75	5.3	93.5	HC 4	
0920	92	3.00	- 0.08	97.5	8.7	7.8	3.5	95.5	+ 0.35	3.15	1.75	5.3	95.5	HC 4	
0950	95	3.00	- 0.08	100.5	8.8	8.1	3.5	98.5	+ 0.35	3.15	1.75	5.3	98.5	HC 4	
0970	97	3.00	- 0.08	103.5	9.0	8.3	3.5	100.5	+ 0.35	3.15	1.75	5.3	100.5	HC 4	
0980	98	3.00	- 0.08	103.5	9.0	8.3	3.5	101.5	+ 0.35	3.15	1.75	5.3	101.5	HC 4	
1000	100	3.00	- 0.08	105.5	9.2	8.4	3.5	103.5	+ 0.35	3.15	1.75	5.3	103.5	HC 4	
1120	112	4.00	- 0.10	119.0	10.5	9.1	3.5	72.00	116.0	+0.54	4.15	2.00	6.0	HC 4	

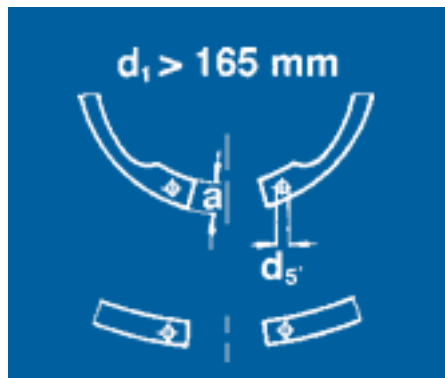
D1300 CONTINUED

Ref. Number	Nominal Diameter (d1)	Thickness (s)	Circlip Dimensions			Groove Dimensions							Supplementary Data		
			Tolerance	Unstressed Diameter (d3)	Tolerance	Lug (a) max	Beam (b)~	Lug Hole (d5) min	Groove Diameter (d2)	Tolerance	Min Groove Width (m)	Radial Depth (t)	Shoulder Length (n)	Wt. Kg/1,000	Pliers
1150	115	4.00	- 0.10	122.0		10.5	9.3	3.5	74.50	119.0	+ 0.54	4.15	2.00	6.0	HC 4
1170	117	4.00	- 0.10	125.0		10.7	9.6	3.5	75.50	121.0	+ 0.63	4.15	2.00	6.0	HC 4
1180	118	4.00	- 0.10	125.0		10.7	9.6	3.5	75.50	122.0	+ 0.63	4.15	2.00	6.0	HC 4
1200	120	4.00	- 0.10	127.0		11.0	9.7	3.5	77.00	124.0	+ 0.63	4.15	2.00	6.0	HC 4
1220	122	4.00	- 0.10	129.0		11.0	9.8	4.0	78.00	126.0	+ 0.63	4.15	2.00	6.0	HC 5
1250	125	4.00	- 0.10	132.0		11.0	10.0	4.0	79.00	129.0	+ 0.63	4.15	2.00	6.0	HC 5
1270	127	4.00	- 0.10	135.0		11.0	10.0	4.0	81.00	131.0	+ 0.63	4.15	2.00	6.0	HC 5
1280	128	4.00	- 0.10	135.0		11.0	10.2	4.0	81.00	132.0	+ 0.63	4.15	2.00	6.0	HC 5
1300	130	4.00	- 0.10	137.0		11.0	10.2	4.0	82.00	134.0	+ 0.63	4.15	2.00	6.0	HC 5
1320	132	4.00	- 0.10	139.0		11.0	10.3	4.0	83.00	136.0	+ 0.63	4.15	2.00	6.0	HC 5
1350	135	4.00	- 0.10	142.0		11.2	10.5	4.0	84.00	139.0	+ 0.63	4.15	2.00	6.0	HC 5
1370	137	4.00	- 0.10	145.0		11.2	10.6	4.0	86.00	141.0	+ 0.63	4.15	2.00	6.0	HC 5
1380	138	4.00	- 0.10	145.0		11.2	10.6	4.0	86.00	142.0	+ 0.63	4.15	2.00	6.0	HC 5
1400	140	4.00	- 0.10	147.0	+ 1.50	11.2	10.7	4.0	87.50	144.0	+ 0.63	4.15	2.00	6.0	HC 5
1420	142	4.00	- 0.10	149.0	- 0.63	11.3	10.8	4.0	89.00	146.0	+ 0.63	4.15	2.00	6.0	HC 5
1450	145	4.00	- 0.10	152.0		11.4	10.9	4.0	93.00	149.0	+ 0.63	4.15	2.00	6.0	HC 5
1470	147	4.00	- 0.10	155.0		11.8	11.1	4.0	100.00	151.0	+ 0.63	4.15	2.00	6.0	HC 5
1480	148	4.00	- 0.10	155.0		11.8	11.1	4.0	100.00	152.0	+ 0.63	4.15	2.00	6.0	HC 5
1500	150	4.00	- 0.10	158.0		12.0	11.2	4.0	105.00	155.0	+ 0.63	4.15	2.50	7.5	HC 5
1520	152	4.00	- 0.10	161.0		12.0	11.3	4.0	106.00	157.0	+ 0.63	4.15	2.50	7.5	HC 5
1550	155	4.00	- 0.10	164.0		12.0	11.4	4.0	107.00	160.0	+ 0.63	4.15	2.50	7.5	HC 5
1570	157	4.00	- 0.10	167.0		12.3	11.5	4.0	109.00	162.0	+ 0.63	4.15	2.50	7.5	HC 5
1580	158	4.00	- 0.10	167.0		12.3	11.5	4.0	109.00	163.0	+ 0.63	4.15	2.50	7.5	HC 5
1600	160	4.00	- 0.10	169.0		13.0	11.6	4.0	110.00	165.0	+ 0.63	4.15	2.50	7.5	HC 5
1620	162	4.00	- 0.10	171.5		13.0	11.7	4.0	118.00	167.0	+ 0.63	4.15	2.50	7.5	HC 5
1650	165	4.00	- 0.10	174.5		13.0	11.8	4.0	125.00	170.0	+ 0.63	4.15	2.50	7.5	HC 5
1670	167	4.00	- 0.10	177.5		13.5	12.1	4.0	135.00	172.0	+ 0.63	4.15	2.50	7.5	HC 5
1680	168	4.00	- 0.10	177.5		13.5	12.1	4.0	135.00	173.0	+ 0.63	4.15	2.50	7.5	HC 5
1700	170	4.00	- 0.10	179.5		13.5	12.2	4.0	140.00	175.0	+ 0.63	4.15	2.50	7.5	HC 5
1720	172	4.00	- 0.10	181.5		13.5	12.5	4.0	145.00	177.0	+ 0.63	4.15	2.50	7.5	HC 5
1750	175	4.00	- 0.10	184.5		13.5	12.7	4.0	150.00	180.0	+ 0.63	4.15	2.50	7.5	HC 5
1770	177	4.00	- 0.10	187.5		14.2	12.9	4.0	162.00	182.0	+ 0.72	4.15	2.50	7.5	HC 5
1780	178	4.00	- 0.10	187.5		14.2	12.9	4.0	162.00	183.0	+ 0.72	4.15	2.50	7.5	HC 5
1800	180	4.00	- 0.10	189.5		14.2	13.2	4.0	165.00	185.0	+ 0.72	4.15	2.50	7.5	HC 5
1820	182	4.00	- 0.10	191.5		14.2	13.5	4.0	168.00	187.0	+ 0.72	4.15	2.50	7.5	HC 5
1850	185	4.00	- 0.10	194.5		14.2	13.7	4.0	170.00	190.0	+ 0.72	4.15	2.50	7.5	HC 5
1870	187	4.00	- 0.10	197.5		14.2	13.8	4.0	174.00	192.0	+ 0.72	4.15	2.50	7.5	HC 5
1880	188	4.00	- 0.10	197.5		14.2	13.8	4.0	174.00	193.0	+ 0.72	4.15	2.50	7.5	HC 5
1900	190	4.00	- 0.10	199.5		14.2	13.8	4.0	175.00	195.0	+ 0.72	4.15	2.50	7.5	HC 5
1920	192	4.00	- 0.10	201.5		14.2	13.8	4.0	178.00	197.0	+ 0.72	4.15	2.50	7.5	HC 5
1950	195	4.00	- 0.10	204.5		14.2	13.8	4.0	183.00	200.0	+ 0.72	4.15	2.50	7.5	HC 5
1970	197	4.00	- 0.10	207.5		14.2	14.0	4.0	190.00	202.0	+ 0.72	4.15	2.50	7.5	HC 5
1980	198	4.00	- 0.10	207.5		14.2	14.0	4.0	190.00	203.0	+ 0.72	4.15	2.50	7.5	HC 5
2000	200	4.00	- 0.10	209.5	+ 1.70	14.2	14.0	4.0	195.00	205.0	+ 0.72	4.15	2.50	7.5	HC 5
2020	202	5.00	- 0.12	214.0	- 0.72	14.2	14.0	4.0	210.00	208.0	+ 0.72	5.15	3.00	9.0	HC 5
2050	205	5.00	- 0.12	217.0		14.2	14.0	4.0	225.00	211.0	+ 0.72	5.15	3.00	9.0	HC 5
2070	207	5.00	- 0.12	217.0		14.2	14.0	4.0	225.00	213.0	+ 0.72	5.15	3.00	9.0	HC 5
2080	208	5.00	- 0.12	222.0		14.2	14.0	4.0	270.00	214.0	+ 0.72	5.15	3.00	9.0	HC 5
2100	210	5.00	- 0.12	222.0		14.2	14.0	4.0	270.00	216.0	+ 0.72	5.15	3.00	9.0	HC 5
2120	212	5.00	- 0.12	222.0		14.2	14.0	4.0	270.00	218.0	+ 0.72	5.15	3.00	9.0	HC 5
2150	215	5.00	- 0.12	227.0		14.2	14.0	4.0	300.00	221.0	+ 0.72	5.15	3.00	9.0	HC 5
2170	217	5.00	- 0.12	227.0		14.2	14.0	4.0	300.00	223.0	+ 0.72	5.15	3.00	9.0	HC 5
2180	218	5.00	- 0.12	232.0		14.2	14.0	4.0	315.00	224.0	+ 0.72	5.15	3.00	9.0	HC 5
2200	220	5.00	- 0.12	232.0		14.2	14.0	4.0	315.00	226.0	+ 0.72	5.15	3.00	9.0	HC 5
2220	222	5.00	- 0.12	232.0		14.2	14.0	4.0	315.00	228.0	+ 0.72	5.15	3.00	9.0	HC 5
2250	225	5.00	- 0.12	237.0		14.2	14.0	4.0	323.00	231.0	+ 0.72	5.15	3.00	9.0	HC 5
2270	227	5.00	- 0.12	237.0		14.2	14.0	4.0	323.00	233.0	+ 0.72	5.15	3.00	9.0	HC 5
2280	228	5.00	- 0.12	242.0		14.2	14.0	4.0	330.00	234.0	+ 0.72	5.15	3.00	9.0	HC 5
2300	230	5.00	- 0.12	242.0		14.2	14.0	4.0	330.00	236.0	+ 0.72	5.15	3.00	9.0	HC 5

D1300 CONTINUED

Ref. Number	Nominal Diameter (d1)	Thickness (s)	Tolerance	Circlip Dimensions			Groove Dimensions						Supplementary Data		
				Unstressed Diameter (d3)	Tolerance	Lug (a) max	Beam (b)~	Lug Hole (d5) min	Groove Diameter (d2)	Tolerance	Min Groove Width (m)	Radial Depth (t)	Shoulder Length (n)	Wt. Kg/1,000	Pliers
2320	232	5.00	- 0.12	242.0	+ 2.00 - 0.81	14.2	14.0	4.0	330.00	238.0	+ 0.72	5.15	3.00	9.0	HC 5
2350	235	5.00	- 0.12	247.0		14.2	14.0	4.0	338.00	241.0	+ 0.72	5.15	3.00	9.0	HC 5
2370	237	5.00	- 0.12	247.0		14.2	14.0	4.0	338.00	243.0	+ 0.72	5.15	3.00	9.0	HC 5
2380	238	5.00	- 0.12	252.0		14.2	14.0	4.0	345.00	244.0	+ 0.72	5.15	3.00	9.0	HC 5
2400	240	5.00	- 0.12	252.0		14.2	14.0	4.0	345.00	246.0	+ 0.72	5.15	3.00	9.0	HC 5
2420	242	5.00	- 0.12	252.0		14.2	14.0	4.0	345.00	248.0	+ 0.81	5.15	3.00	9.0	HC 5
2450	245	5.00	- 0.12	257.0		14.2	14.0	4.0	353.00	251.0	+ 0.81	5.15	3.00	9.0	HC 5
2470	247	5.00	- 0.12	257.0		14.2	14.0	4.0	353.00	253.0	+ 0.81	5.15	3.00	9.0	HC 5
2480	248	5.00	- 0.12	262.0		14.2	14.0	4.0	360.00	254.0	+ 0.81	5.15	3.00	9.0	HC 5
2500	250	5.00	- 0.12	262.0		14.2	14.0	4.0	360.00	256.0	+ 0.81	5.15	3.00	9.0	HC 5
2520	252	5.00	- 0.12	262.0		14.2	16.0	5.0	360.00	260.0	+ 0.81	5.15	4.00	12.0	MAJ
2550	255	5.00	- 0.12	270.0		16.2	16.0	5.0	368.00	263.0	+ 0.81	5.15	4.00	12.0	MAJ
2570	257	5.00	- 0.12	270.0		16.2	16.0	5.0	368.00	265.0	+ 0.81	5.15	4.00	12.0	MAJ
2580	258	5.00	- 0.12	275.0		16.2	16.0	5.0	375.00	266.0	+ 0.81	5.15	4.00	12.0	MAJ
2600	260	5.00	- 0.12	275.0		16.2	16.0	5.0	375.00	268.0	+ 0.81	5.15	4.00	12.0	MAJ
2620	262	5.00	- 0.12	275.0		16.2	16.0	5.0	375.00	270.0	+ 0.81	5.15	4.00	12.0	MAJ
2650	265	5.00	- 0.12	280.0		16.2	16.0	5.0	383.00	273.0	+ 0.81	5.15	4.00	12.0	MAJ
2670	267	5.00	- 0.12	280.0		16.2	16.0	5.0	383.00	275.0	+ 0.81	5.15	4.00	12.0	MAJ
2680	268	5.00	- 0.12	285.0		16.2	16.0	5.0	388.00	276.0	+ 0.81	5.15	4.00	12.0	MAJ
2700	270	5.00	- 0.12	285.0		16.2	16.0	5.0	388.00	278.0	+ 0.81	5.15	4.00	12.0	MAJ
2720	272	5.00	- 0.12	285.0		16.2	16.0	5.0	388.00	280.0	+ 0.81	5.15	4.00	12.0	MAJ
2750	275	5.00	- 0.12	290.0		16.2	16.0	5.0	393.00	283.0	+ 0.81	5.15	4.00	12.0	MAJ
2770	277	5.00	- 0.12	290.0		16.2	16.0	5.0	393.00	285.0	+ 0.81	5.15	4.00	12.0	MAJ
2780	278	5.00	- 0.12	295.0		16.2	16.0	5.0	400.00	286.0	+ 0.81	5.15	4.00	12.0	MAJ
2800	280	5.00	- 0.12	295.0		16.2	16.0	5.0	400.00	288.0	+ 0.81	5.15	4.00	12.0	MAJ
2820	282	5.00	- 0.12	295.0		16.2	16.0	5.0	400.00	290.0	+ 0.81	5.15	4.00	12.0	MAJ
2850	285	5.00	- 0.12	300.0		16.2	16.0	5.0	408.00	293.0	+ 0.81	5.15	4.00	12.0	MAJ
2870	287	5.00	- 0.12	300.0	16.2	16.0	5.0	408.00	295.0	+ 0.81	5.15	4.00	12.0	MAJ	
2880	288	5.00	- 0.12	305.0	16.2	16.0	5.0	415.00	296.0	+ 0.81	5.15	4.00	12.0	MAJ	
2900	290	5.00	- 0.12	305.0	16.2	16.0	5.0	415.00	298.0	+ 0.81	5.15	4.00	12.0	MAJ	
2920	292	5.00	- 0.12	305.0	16.2	16.0	5.0	415.00	300.0	+ 0.81	5.15	4.00	12.0	MAJ	
2950	295	5.00	- 0.12	310.0	16.2	16.0	5.0	426.00	303.0	+ 0.81	5.15	4.00	12.0	MAJ	
2970	297	5.00	- 0.12	310.0	16.2	16.0	5.0	426.00	305.0	+ 0.81	5.15	4.00	12.0	MAJ	
2980	298	5.00	- 0.12	315.0	16.2	16.0	5.0	435.00	306.0	+ 0.81	5.15	4.00	12.0	MAJ	
3000	300	5.00	- 0.12	315.0	16.2	16.0	5.0	435.00	308.0	+ 0.81	5.15	4.00	12.0	MAJ	
3050	305	6.00	- 0.15	322.0	n/a	20.0	6.0	755.00	315.0	+ 0.81	6.20	5.00	15.0	MAJ	
3100	310	6.00	- 0.15	327.0	n/a	20.0	6.0	770.00	320.0	+ 0.89	6.20	5.00	15.0	MAJ	
3150	315	6.00	- 0.15	332.0	n/a	20.0	6.0	785.00	325.0	+ 0.89	6.20	5.00	15.0	MAJ	
3200	320	6.00	- 0.15	337.0	n/a	20.0	6.0	800.00	330.0	+ 0.89	6.20	5.00	15.0	MAJ	
3250	325	6.00	- 0.15	342.0	n/a	20.0	6.0	810.00	335.0	+ 0.89	6.20	5.00	15.0	MAJ	
3300	330	6.00	- 0.15	347.0	n/a	20.0	6.0	820.00	340.0	+ 0.89	6.20	5.00	15.0	MAJ	
3350	335	6.00	- 0.15	352.0	n/a	20.0	6.0	830.00	345.0	+ 0.89	6.20	5.00	15.0	MAJ	
3400	340	6.00	- 0.15	357.0	n/a	20.0	6.0	840.00	350.0	+ 0.89	6.20	5.00	15.0	MAJ	
3450	345	6.00	- 0.15	362.0	n/a	20.0	6.0	855.00	355.0	+ 0.89	6.20	5.00	15.0	MAJ	
3500	350	6.00	- 0.15	367.0	+ 2.00 - 0.90	n/a	20.0	870.00	360.0	+ 0.89	6.20	5.00	15.0	MAJ	
3550	355	6.00	- 0.15	372.0	n/a	20.0	6.0	880.00	365.0	+ 0.89	6.20	5.00	15.0	MAJ	
3600	360	6.00	- 0.15	377.0	n/a	20.0	6.0	890.00	370.0	+ 0.89	6.20	5.00	15.0	MAJ	
3650	365	6.00	- 0.15	382.0	n/a	20.0	6.0	906.00	375.0	+ 0.89	6.20	5.00	15.0	MAJ	
3700	370	6.00	- 0.15	387.0	n/a	20.0	6.0	920.00	380.0	+ 0.89	6.20	5.00	15.0	MAJ	
3750	375	6.00	- 0.15	392.0	n/a	20.0	6.0	932.00	385.0	+ 0.89	6.20	5.00	15.0	MAJ	
3800	380	6.00	- 0.15	397.0	n/a	20.0	6.0	940.00	390.0	+ 0.89	6.20	5.00	15.0	MAJ	
3850	385	6.00	- 0.15	402.0	n/a	20.0	6.0	950.00	395.0	+ 0.89	6.20	5.00	15.0	MAJ	
3900	390	6.00	- 0.15	407.0	n/a	20.0	6.0	960.00	400.0	+ 0.89	6.20	5.00	15.0	MAJ	
3950	395	6.00	- 0.15	412.0	n/a	20.0	6.0	972.00	405.0	+ 1.00	6.20	5.00	15.0	MAJ	
4000	400	6.00	- 0.15	417.0	n/a	20.0	6.0	980.00	410.0	+ 1.00	6.20	5.00	15.0	MAJ	

Manufacturer's Choice (Lug)



Unstressed

